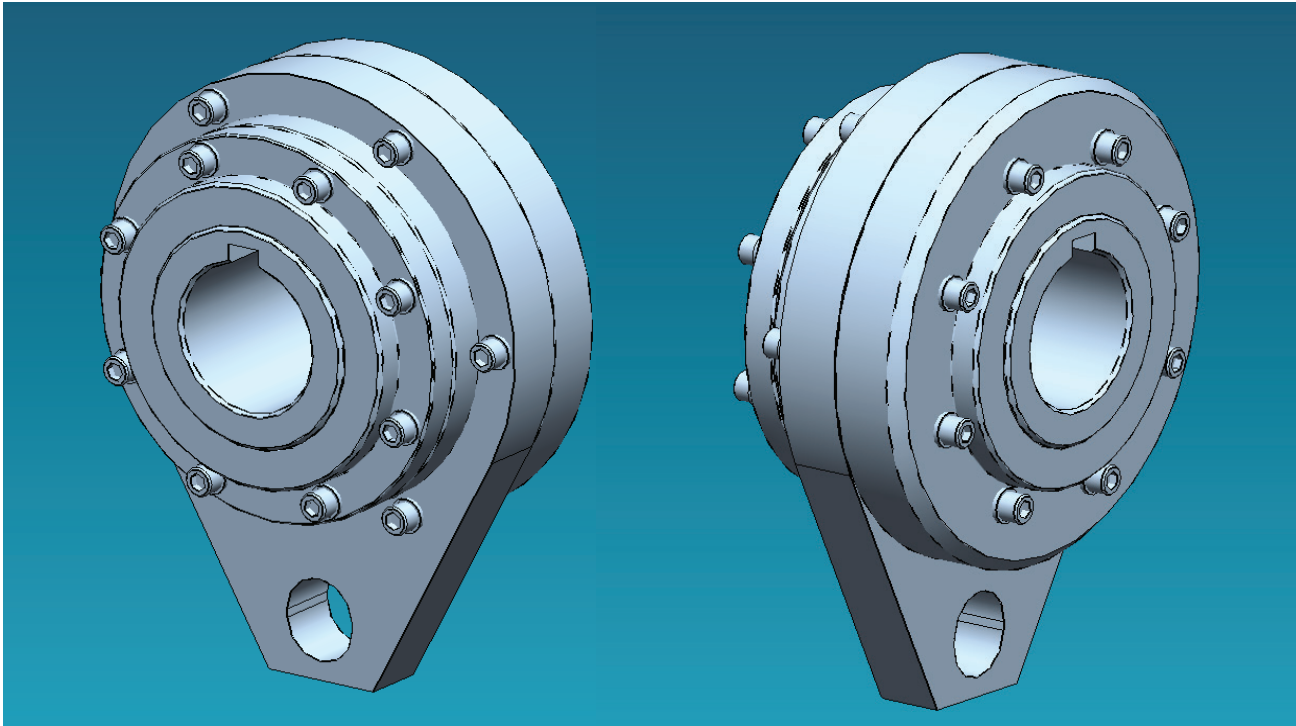


## ***BRUS Series [For High-Speed Overrunning]***



### **Features**

**LONGER LIFE** Lift-off type cam design extends service life.

**LOW OPERATING TEMPERATURE**

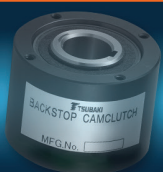
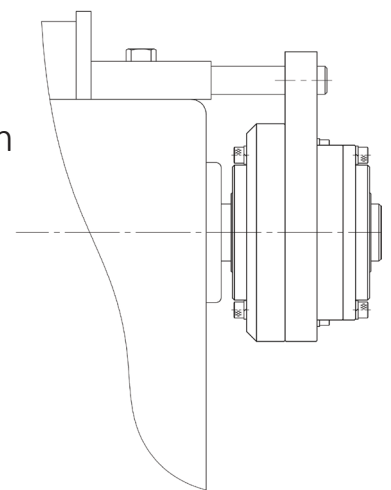
**SUPERIOR PERFORMANCE** Higher torque capacity and non-rollover cam design prevents failures.

**ADVANCED PROTECTION** Special felt ring seals and Labyrinth body seals prevent leaking or ingress of contaminants.

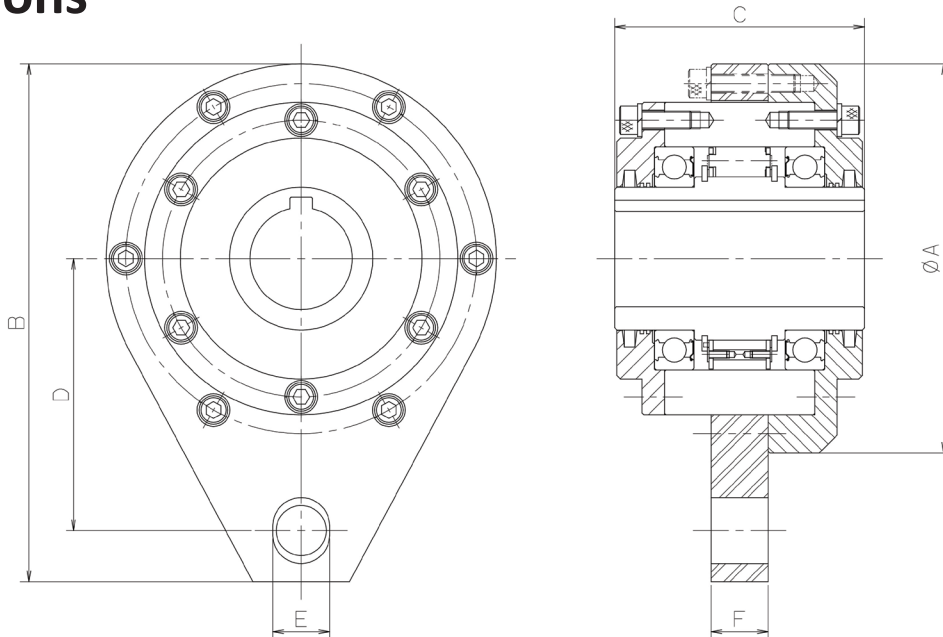
**FLEXIBLE DESIGN** Torque arm design allows for re-use during regular maintenance and replacement.

### **Application Example**

Tsubaki's BRUS series backstops are designed to replace the Falk® BIF model external high-speed backstops.



## Dimensions



Model	Torque Capacity lb.ft. (Nm)	Inner Race Overrunning Speed (r/min)		Bore in. (mm)		A	B	C	D	E	F	Weight lb (kg)
		Min.	Max.	Min.	Max.	in. (mm)	in. (mm)	in. (mm)	in. (mm)	in. (mm)	in. (mm)	
BRUS45	700	400	3600	1.125	1.625	6.50	8.21	4.13	4.13	0.81	0.98	42
	950			28.58	41.4	165	208.5	104.9	104.78	20.64	25	19
BRUS60	1770	400	2400	1.750	2.250	8.58	11.42	5.50	6.00	1.25	1.26	64
	2400			44.45	57.15	218	290	139.7	152.40	31.80	32	29
BRUS90	4420	400	1800	2.250	3.750	11.65	15.08	6.50	7.75	1.88	1.50	132
	6000			57.15	95.25	296	383	165.1	196.85	47.70	38	60

## Interchange Chart

Manufacturer	Tsubaki	Falk®	Formsprag®	Ringspann®
Size	BRUS45	10BIF	FHB-10	FRXF550
Max. Bore (inch)	1.625	1.625	1.880	1.630
Size	BRUS60	20BIF	FHB-20	FRXF700
Max. Bore (inch)	2.250	2.250	2.250	2.940
Size	BRUS90	60BIF	FHB-60	FRXF775
Max. Bore (inch)	3.750	3.750	3.750	3.750

